

PF 22.000 | PFA 20.000

ECOOL FILTERFAN | EXHAUST FILTER 56–70 m³/h

- installation size 2, air flow rate up to 70 m³/h
- system of protection IP 54 and IP 55, NEMA type 12
- UL, cUL approval
- UV-resistance (IP 55 version, RAL 7035)
- cut-out compatible with installation size 2 from the 3rd Generation



PRODUCT		PF 22.000					Unit
ARTICLE NO.	IP 54	11622101055	11622151055	11622851055	11622801055	11622701055	
ARTICLE NO.	IP 55	11622103055	11622153055	11622853055	11622803055	11622703055	

DATA							
Rated voltage ±10 %	AC 50 60 Hz			DC			V
	230	115	12	24	48		
Unimpeded airflow	IP 54	61 70			m ³ /h		
	IP 55	56 64					
Airflow rate in comb. with exhaust filter	IP 54	44 50					
	IP 55	40 46					
Power consumption	19 18	20 20	5			W	
Current consumption	0.12 0.18	0.24 0.23	0.42	0.21	0.1	A	
Noise level according to EN ISO 3741	44 44			44		dB (A)	
Weight	0.7			0.44		kg	
Type of connection	terminal strip			cable, 2-core, length 310 mm			
Fuse	6						A
System of protection according to EN 60529 / UL 50	IP 54	NEMA type 12 - standard filter					
	IP 55	NEMA type 12 - fluted filter					
Filtration efficiency	IP 54	88					%
	IP 55	91					
Filter mat quality class according to EN 779	IP 54	G 3					
	IP 55	G 4					
Duty cycle	100						%
Bearing type	sleeve bearing			ball bearing			
Service life L ₁₀ (+ 40 °C) ¹	37500	40000	62500			h	
Temperature range	-40 ... +55 -40 ... +131						°C °F
Design (housing and protection against accidental contact)	IP 54	made of injection-moulded thermoplastic, self-extinguishing, UL 94 V0					
	IP 55	additional: UV-resistant					
Colour	RAL 7035 different colours available on request						

ACCESSORIES		ARTICLE NUMBER
Exhaust filter	gray	11720001055
Exhaust filter	black	11720001050
Spare filter mats	5 pieces	18611600030
Thermostat		17121000000
Hygrostat		17207000000
Rainhood in stainless steel		18102000014

For additional models, options and voltages visit www.pfannenberg.com or contact us directly.

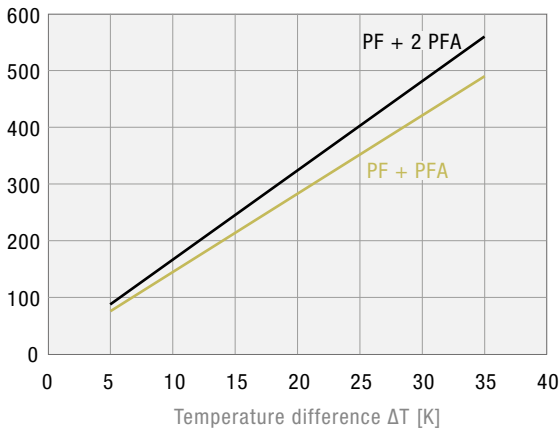
¹ fan failure is defined as being when the current and speed deviate or the operating noises are out of the ordinary

Cooling capacity performance curves

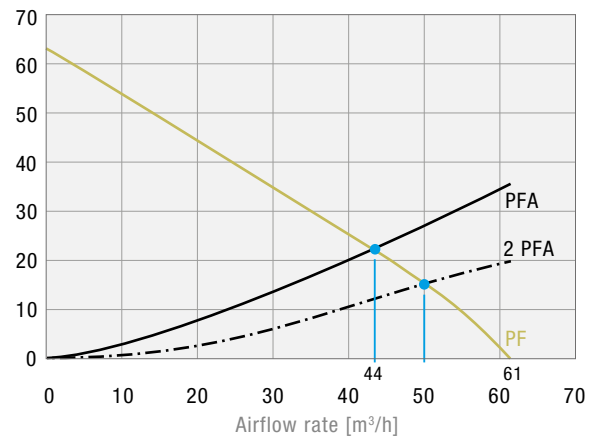
Static pressure performance curve

PF 22.000 IP 54

Cooling capacity [W]

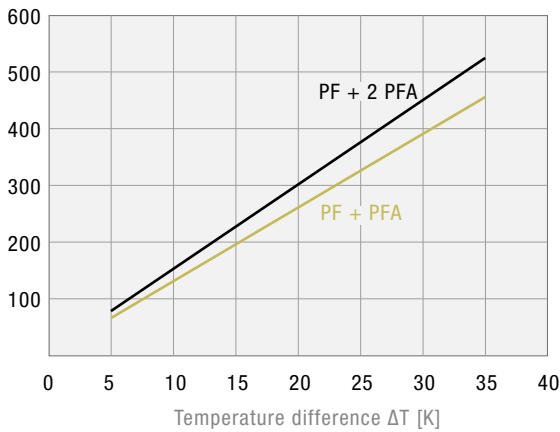


Static Pressure [Pa]

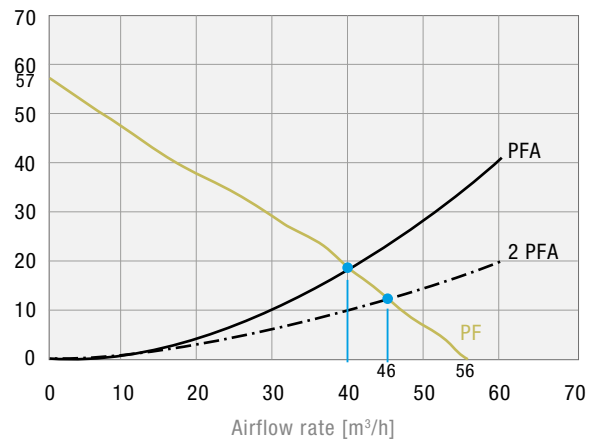


PF 22.000 IP 55

Cooling capacity [W]

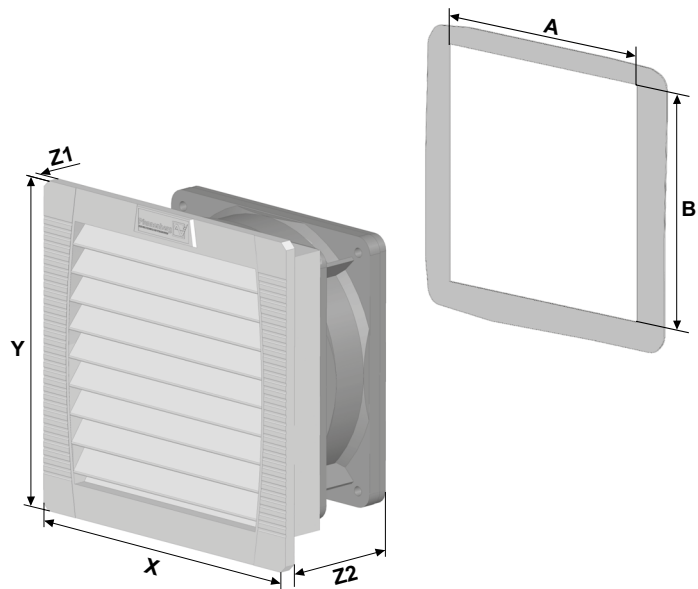


Static Pressure [Pa]



Dimensions

mm	PF 22.000		PFA 20.000
	AC	DC	
X	145	145	145
Y	145	145	145
Z1	5	5	5
Z2	70	64	26
A¹	125	125	125
B¹	125	125	125



¹ for material thicknesses up to 2 mm
+ 1 mm for thickness of material > 2 mm ≤ 3 mm